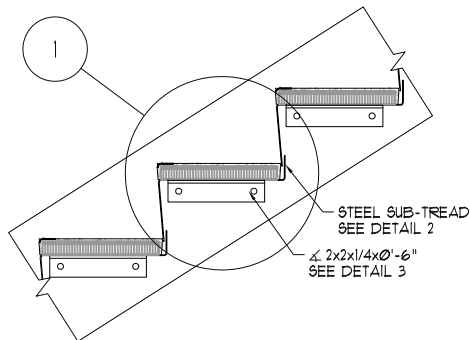
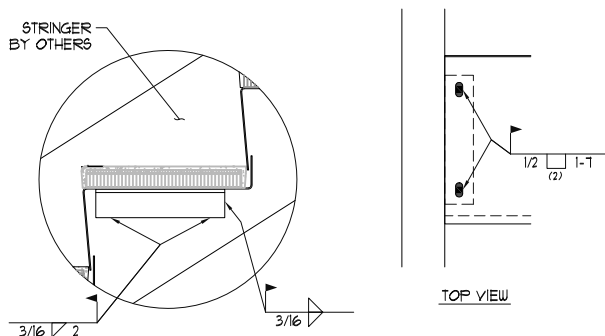
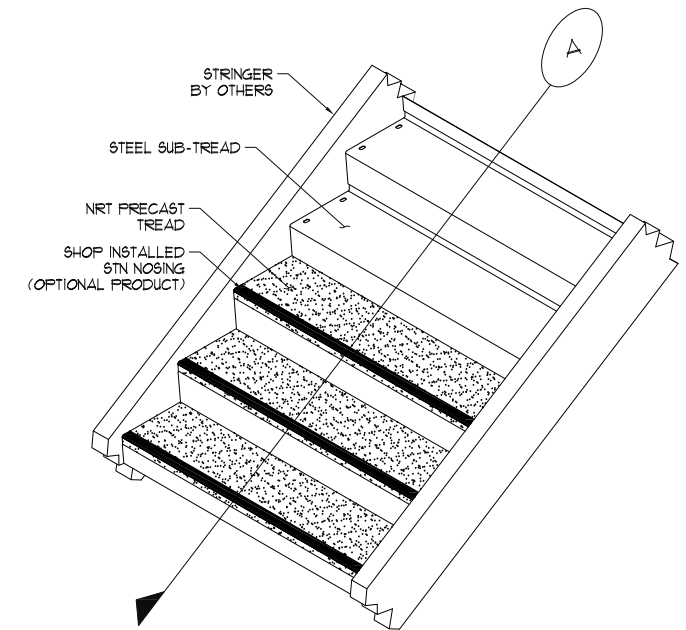


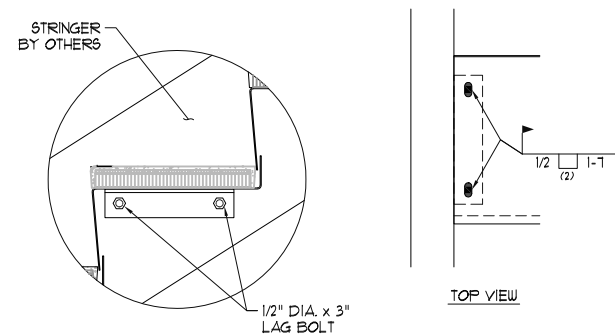
PRE-ENGINEERED STAIR DESIGNS FOR NATIONAL REDI-TREAD.  
 4'-0" MAXIMUM SPAN BETWEEN STRINGERS.



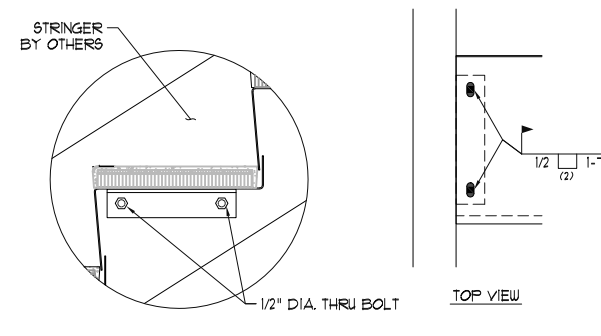
SECTION



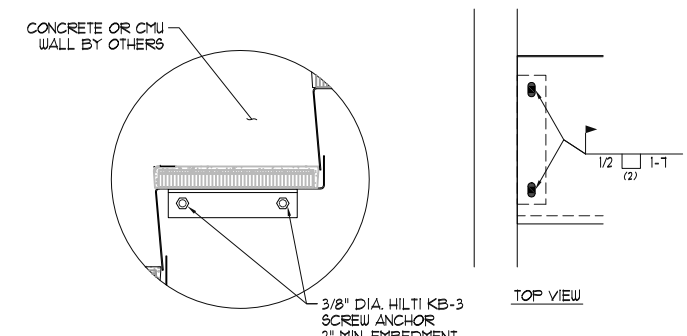
1a STRINGER CONNECTION  
STEEL STRINGER



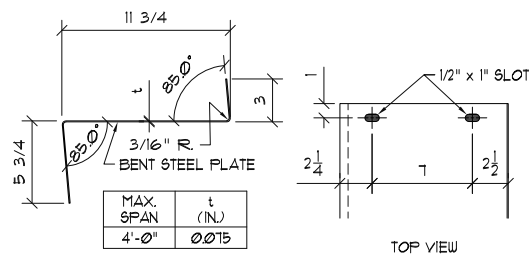
1b STRINGER CONNECTION  
WOOD STRINGER



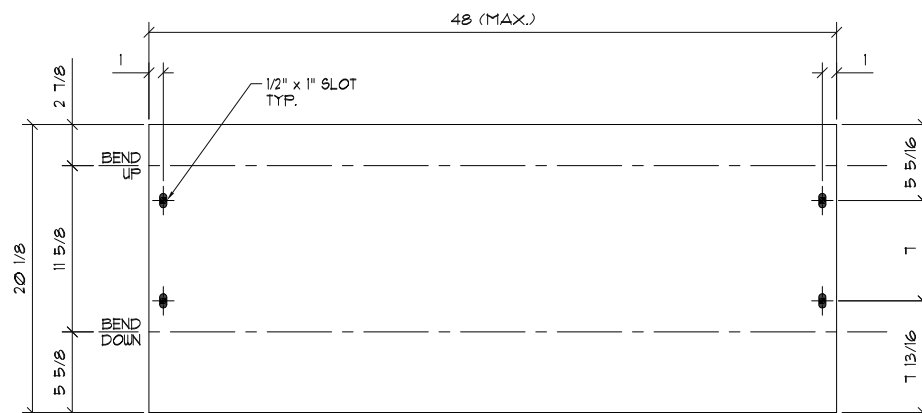
1c STRINGER CONNECTION  
STEEL STRINGER



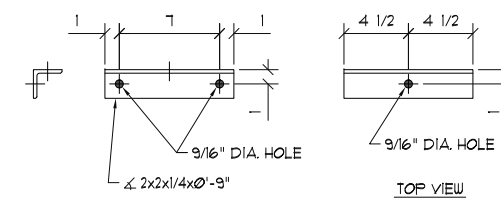
1d STRINGER CONNECTION  
CONCRETE STRINGER



2 STEEL SUB-TREAD  
SUB-TREADS GREATER THAN 48" MUST BE ENGINEERED.



2a STEEL SUB-TREAD FLAT PATTERN  
14 GA. STEEL SHEET



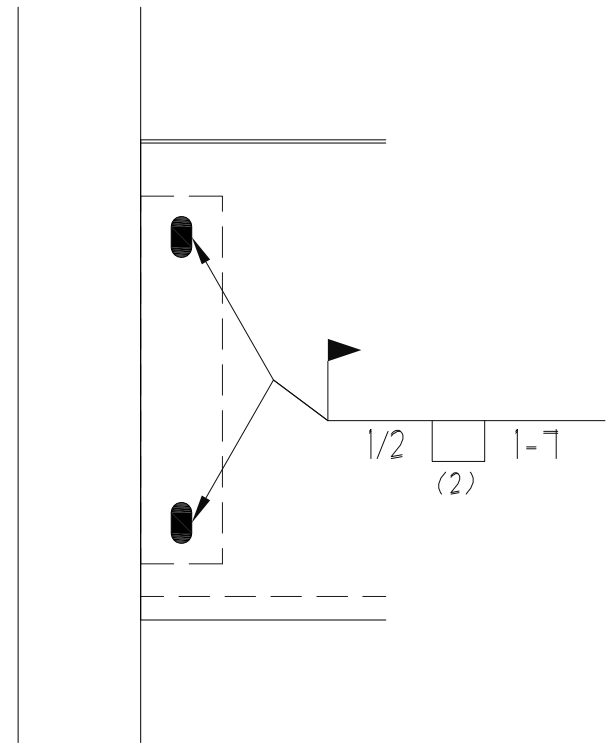
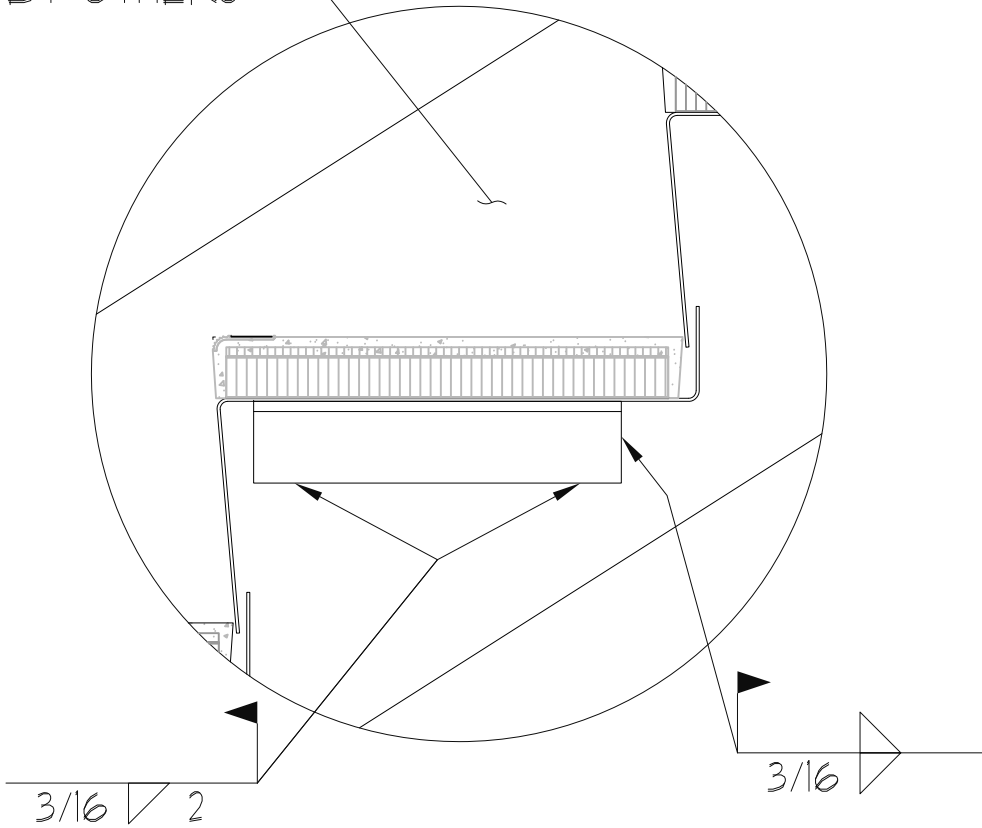
3 ANGLE CLIP

DocuSigned by:  
 Nicholas Clay Jasper 2/22/2017  
 CF2BB6F1CDEE4DF...  
**REGISTERED PROFESSIONAL ENGINEER**  
 17984PE  
 OREGON  
 JULY 25, 1995  
 NICHOLAS CLAY JASPER  
 EXPIRES: 6/30/17

**NRT**  
 NATIONAL REDI-TREAD™  
 (503) 983-9929  
 sales@nationalreditread.com  
 www.nationalreditread.com

SCALE: NONE  
 STANDARD DETAILS

STRINGER  
BY OTHERS

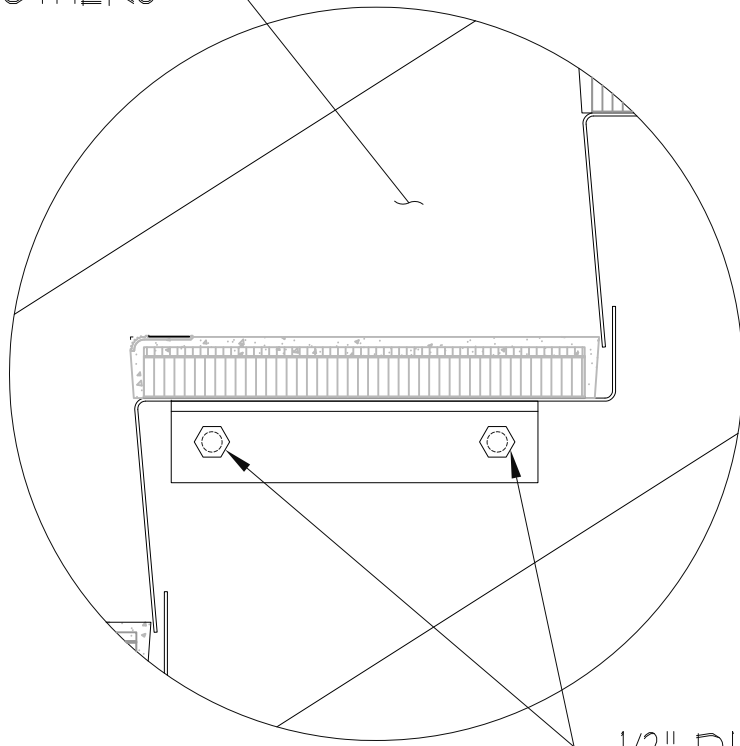


TOP VIEW

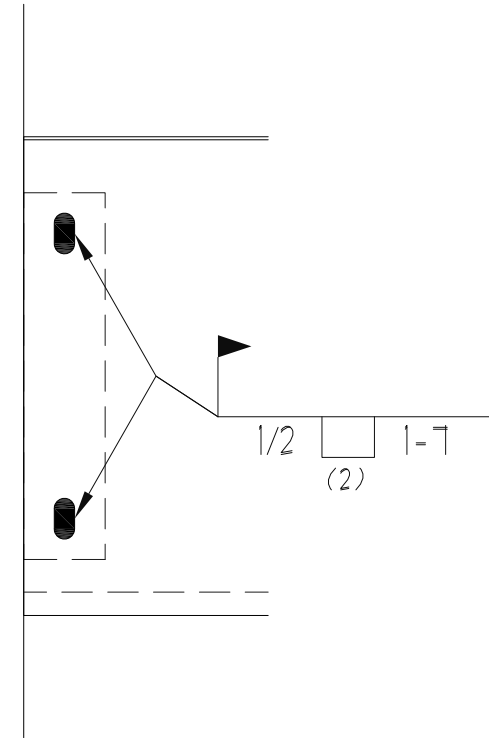
1a

STRINGER CONNECTION  
STEEL STRINGER

STRINGER  
BY OTHERS



1/2" DIA. x 3"  
LAG BOLT  
2" MIN. PENETRATION



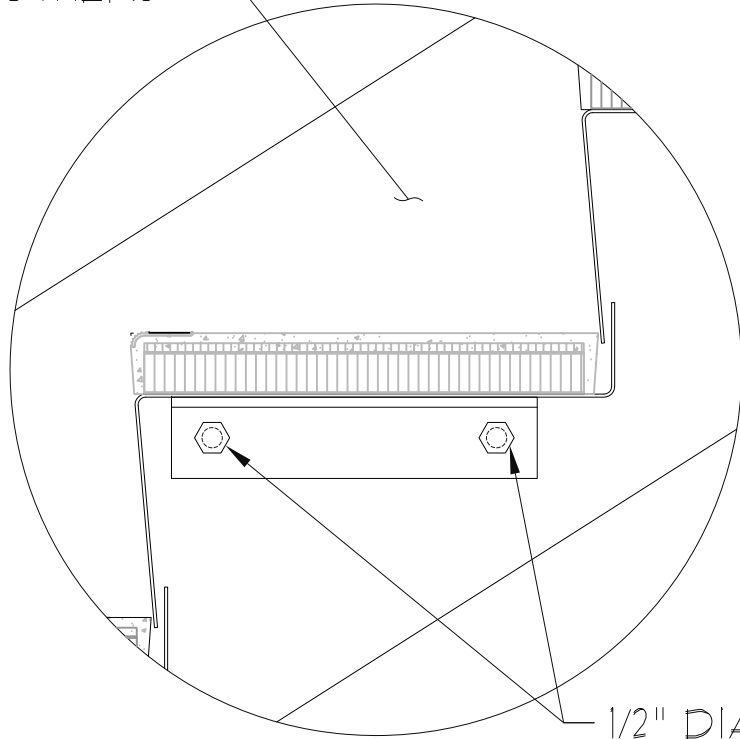
TOP VIEW

1b

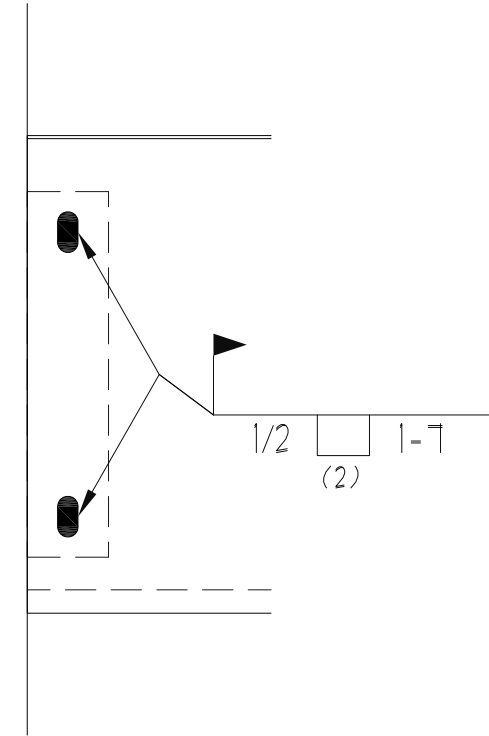
## STRINGER CONNECTION

WOOD STRINGER

STRINGER  
BY OTHERS



1/2" DIA. THRU BOLT

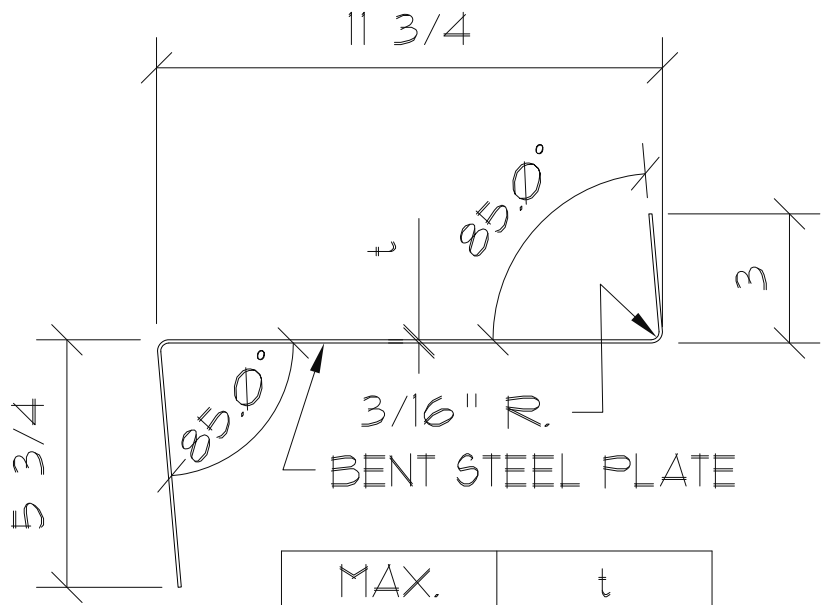


TOP VIEW

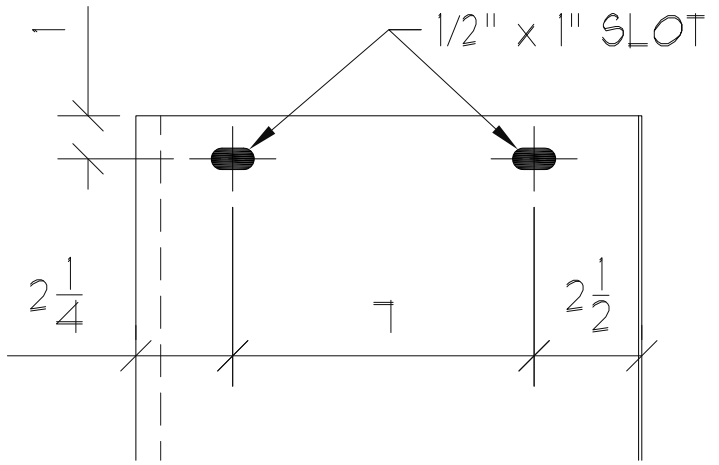
1c

STRINGER CONNECTION

STEEL STRINGER



MAX. SPAN	t (IN.)
4'-0"	0.075



TOP VIEW

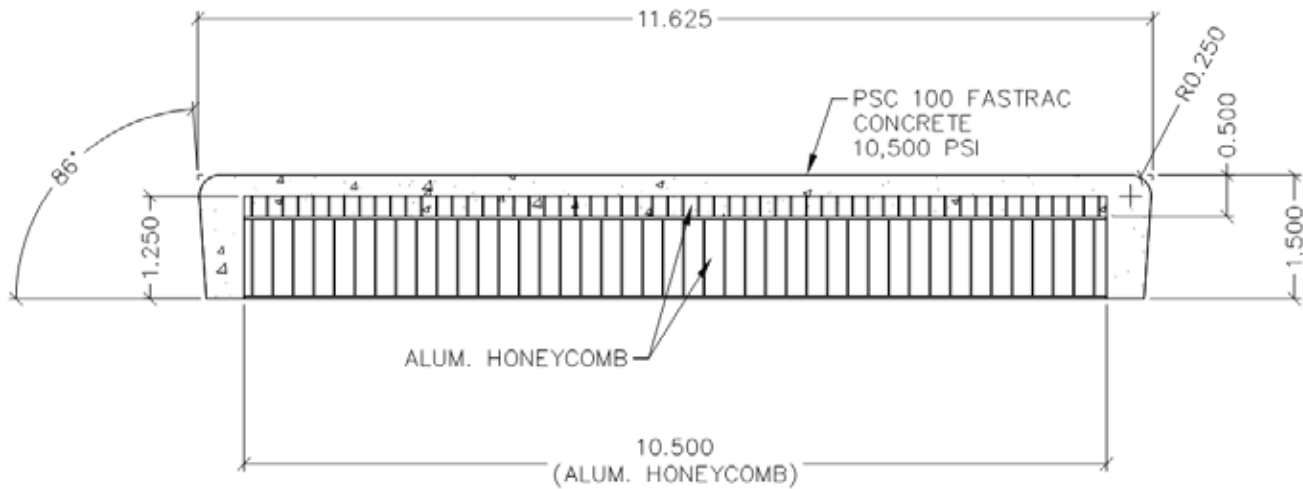
2

## STEEL SUB-TREAD

SUB-TREADS GREATER THAN 48" MUST BE ENGINEERED.

# RHINO TRED DESIGN DETAIL

BASIC PRECAST STAIR TREAD PROFILE DIMENSIONS  
(TREAD WIDTH MADE TO ORDER)



48 INCH WIDE PRECAST TREAD IS APPROX. 32 LBS.

# RHINO TRED STANDARD PHOTOLUMINESCENT NOSING OPTIONS

WHEN BUILDING CODE REQUIRES LUMINOUS STAIR NOSINGS  
OR SAFETY IS A CONCERN

(FOR MORE INFORMATION ABOUT STAIR NOSINGS, CONTACT NATIONAL REDI-TREAD)

